

REEL TAPING SPECIFICATIONS FOR SURFACE MOUNT DEVICES-SOT-23

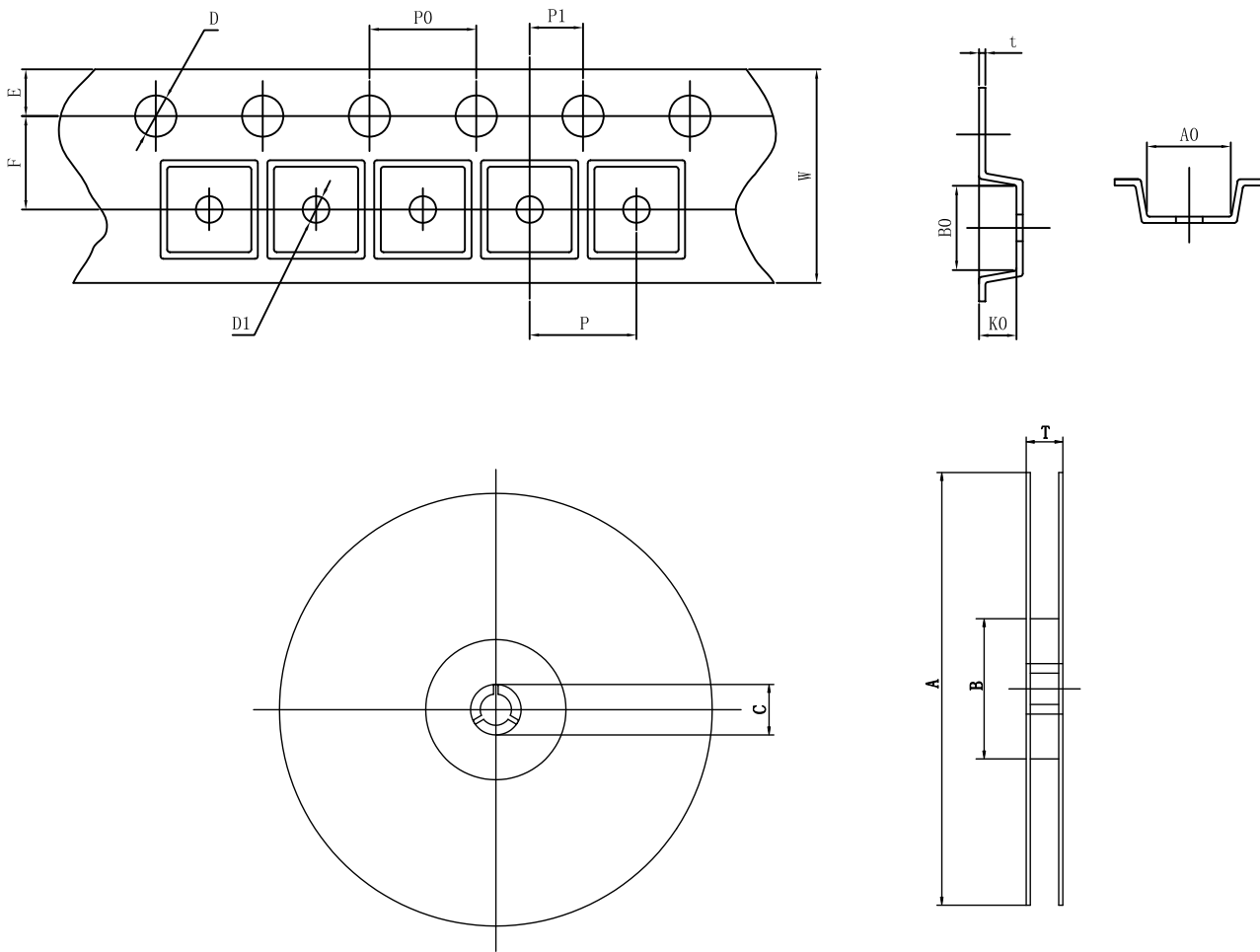


Fig.: Configuration of SOT-23 TAPING

ITEM	SYMBOL	SPECIFICATIONS (mm)	SPECIFICATIONS (inch)
Carrier width	A0	3.25 Max.	0.128 Max.
Carrier length	B0	2.87 Max.	0.113 Max.
Carrier depth	K0	1.32 Max.	0.052 Max.
Sprocket hole	D	1.5+0.1/0	0.059+0.004/0
Reel outside diameter	A	178±1.0	7.009±0.039
Reel inner diameter	B	54 Min.	2.126 Min.
Feed hole diameter	C	13.0±0.20	0.512±0.008
Sprocket hole position	E	1.75±0.10	0.069±0.004
Punch hole position	F	3.5±0.05	0.138±0.002
Punch hole pitch	P	4.0±0.10	0.158±0.004
Sprocket hole pitch	P0	4.0±0.10	0.158±0.004
Embossment center	P1	2.0±0.05	0.079±0.002
Overall tape thickness	t	0.242 Max.	0.010 Max.
Tape width	W	8.0+0.3/-0.1	0.315+0.012/-0.004
Reel width	T	12.5 Max.	0.492 Max.
Punch hole diameter	D1	1.05 Max.	0.041 Max.

Note : Devices are packed in accordance with EIA standard RS-481-A and specification given above. Available only for SOT-23 devices.