

REEL TAPING SPECIFICATIONS FOR SURFACE MOUNT DEVICES-LL-41

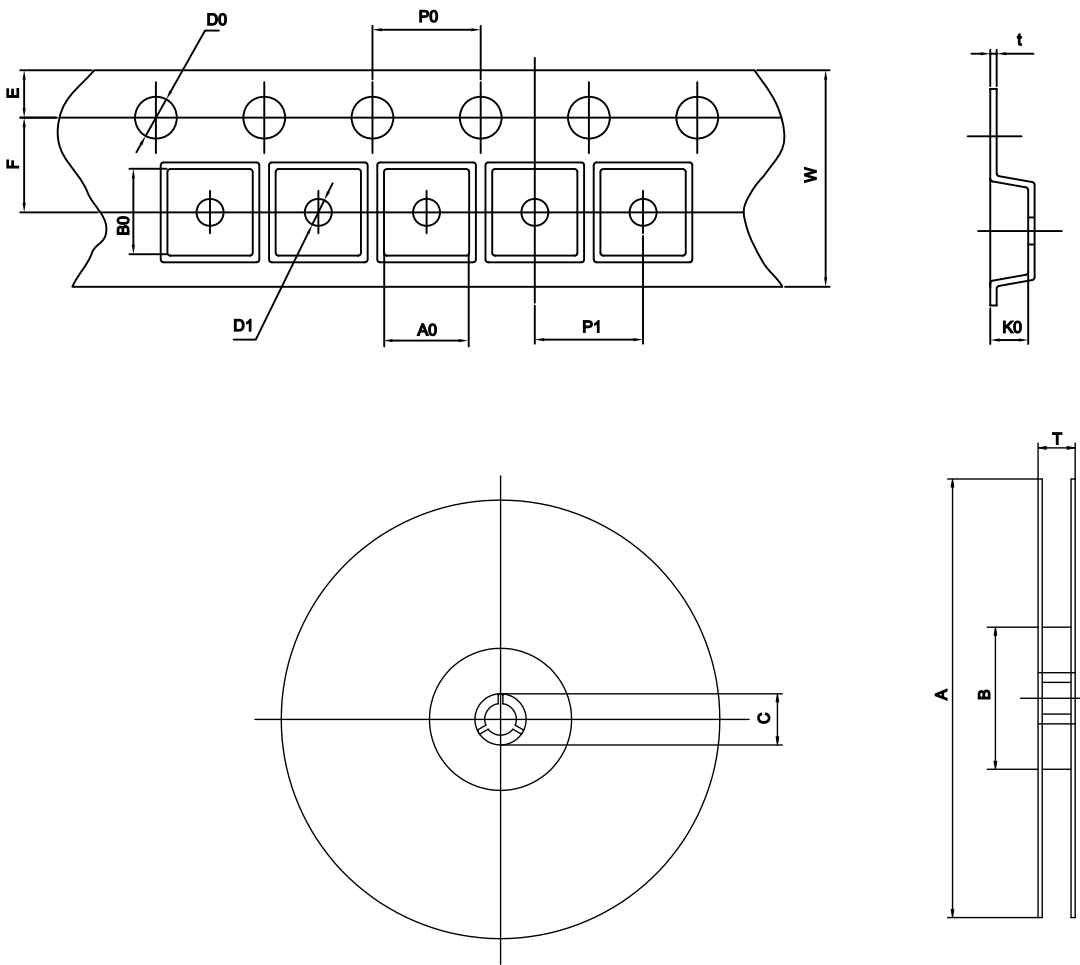


Fig.: Configuration of LL-41 TAPING

ITEM	SYMBOL	SPECIFICATIONS (mm)	SPECIFICATIONS (inch)	
Carrier width	A0	3.1 Max.	0.122 Max.	
Carrier length	B0	5.4 Max.	0.213 Max.	
Carrier depth	K0	3.1 Max.	0.122 Max.	
Sprocket hole	D0	1.5±0.1/0	0.059±0.004/0	
Reel outside diameter	A	7 inch	178	7.009
		13 inch	330	12.994
Reel inner diameter	B	7 inch	60	2.363
		13 inch	100	3.938
Feed hole diameter	C	20.2 Min.	0.795 Min.	
Sprocket hole position	E	1.75±0.10	0.069±0.004	
Punch hole position	F	5.5±0.10	0.217±0.004	
Punch hole pitch	P1	4.0±0.10	0.158±0.004	
Sprocket hole pitch	P0	4.0±0.10	0.158±0.004	
Overall tape thickness	t	0.32 Max.	0.013 Max.	
Tape width	W	12.0±0.10	0.473±0.004	
Reel width	T	18.4	0.725 Max.	
Punch hole diameter	D1	1.0±0.10	0.039±0.004	

Note : Device are packed in accordance with EIA standard RS-481-A and specification given above. Available only for LL-41 devices.